



HC roots blower

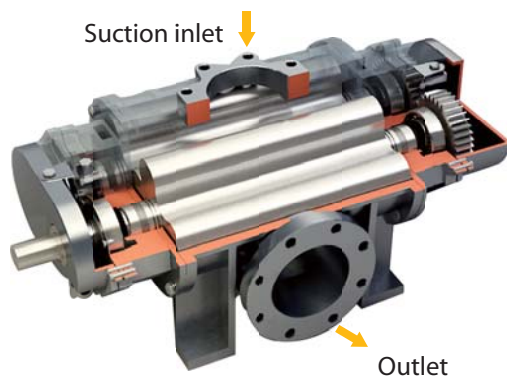


RBL

RBL low pressure three-lobe roots blower



RBL low pressure three-lobe roots blower



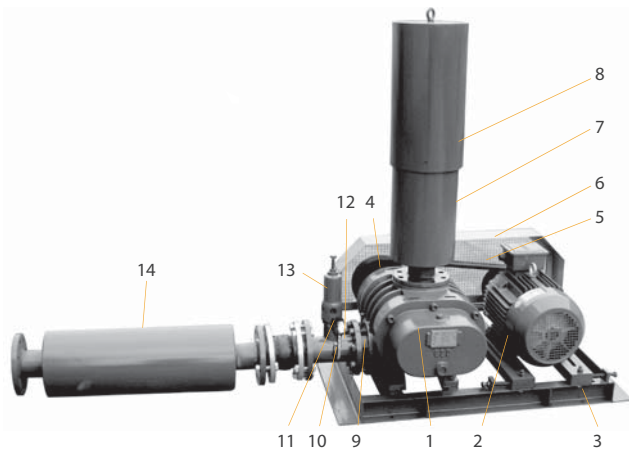
Features

- Wide range of capacity and pressure.
Calibre: 50mm-300mm (2"-12")
Capacity: 0.63-121m³/min (22-4236CFM)
Pressure: The pressure up to 6000mmAq (0.6kgf/cm²)
- Delivers completely oil-free air.
- Low oscillation and low noise by dynamic balance which revised by computer.
- Smaller change in capacity against change in pressure.
- High efficiency due to special impeller design, great air-delivery low power.
- Simpler and solid structure, less trouble.
- Highest quality pilot & accurate great applied, long life and low noise assured.
- Standardized product with strict quality control.
- Our impeller has used the most advanced technic, one time for all working process of the six-shaft method, to enhance the precision of leave wheel.

Theory

RBL is a displacement blower, the pressure can be adjusted according to the requirement of the user in allowing range. There are two impellers in the blower body which rotate in the opposite direction, in order to let the impeller rotate, there are some tiny gaps between the impeller to body, impeller to impeller. When the impeller rotates through the suction inlet, it can gather an amount of air between the body and impeller, then the impeller go on rotating, and the air will be pressured, the pressure in the body will rise, finally the air has been sent to the outlet.

Externality construction



NO.	ACCESSORIES
1	Blower body
2	Motor
3	Foundation
4	Pulley
5	Driving belt
6	Belt cover
7	Inlet silencer
8	Rain cover
9	Check valve
10	Gauge pipe
11	Outlet pressure gauge
12	T-joint
13	Relief valve
14	Outlet silencer

Type description

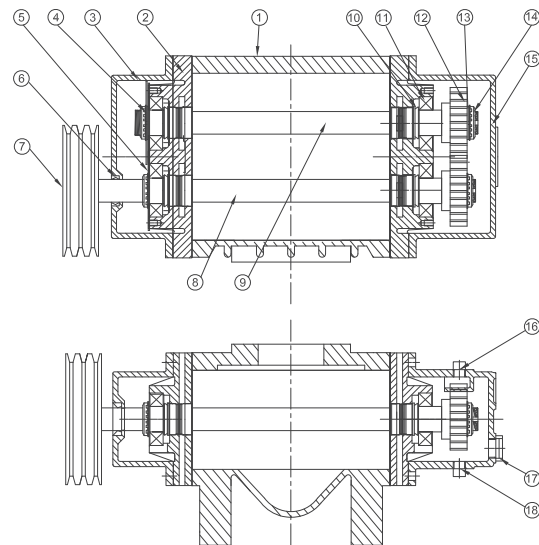
RBL - 65

Diameter (mm)

Low Pressure three-lobe roots blower

Construction

NO.	NAME	MATERIAL	
		GB	JIS
1	Casing	HT250	FC250
2	Bearing housing	HT250	FC250
3	Oil box	HT250	FC250
4	Oil splash	Q235	SS400
5	Bearing washer	Q235	SS400
6	Framework oil seal	NBR	NBR
7	Pulley	HT250	FC250
8	Drive rotor	HT250	FC250
9	Driven rotor	HT250	FC250
10	V-ring	NBR	NBR
11	Bearing	GCr15	SUJ2
12	Gear	35CrMa	SCM435
13	Lock washer	Q235	SS400
14	Lock nut	45	S45C
15	Gear box	HT250	FC250
16	Lubrication plug	45	S45C
17	Oil gauge	Assembly	Assembly
18	Purge plug	45	S45C



Note: Different model has a little difference.



Conversion table

PRESSURE	atm	kPa	bar	lbt/in ² (psi)	kgf/cm ²	in Hg	ftAq	mmHg(Torr)	mmAq
1 atm	1	101.325	1.01325	14.696	1.0333	29.921	33.914	760	10333
1 kPa	0.0099	1	0.01	0.145	0.0102	0.295	0.335	7.5	102
1 bar	0.9869	100	1	14.504	1.0198	29.53	33.47	750	10198
1 lbt/in ² (psi)	0.068	6.894	0.0689	1	0.0703	2.036	2.308	51.71	703
1 kgf/cm ²	0.968	98.062	0.981	14.228	1	28.96	32.82	735.53	10000
1 inHg	0.0334	3.3863	0.0339	0.491	0.0345	1	1.133	25.4	345.3
1 ftAq	0.0295	2.99	0.0299	0.434	0.0305	0.882	1	22.42	304.8
1 mmHg(Torr)	0.013	0.1338	0.00138	0.019	0.0014	0.04	0.045	1	13.6
1 mmAq	0.000097	0.0098	0.000098	0.0014	0.0001	0.003	0.0033	0.074	1

CAPACITY	m ³ /min	l/min	cm ³ /s	in ³ /s	ft ³ /min(cfm)
1 m ³ /min	1	1000	16667	1016	35.288
1 l/min	0.001	1	16.67	1.02	0.0353
1 cm ³ /s	0.00006	0.06	1	0.061	0.002
1 in ³ /s	0.00098	0.983	16.39	1	0.035
1 ft ³ /min(cfm)	0.028	28.32	471.95	28.8	1

Pressure Conversion Formula

$$1 \text{ kPa} = 1000 \text{ Pa} = 1000 \text{ N/m}^2$$

$$1 \text{ mbar} = 10.198 \text{ mmAq}$$

$$1 \text{ mmHg(Torr)} = 133.8 \text{ Pa}$$

Working directions of performance table

1. The performance parameter indicate the type, caliber, revolutions, discharge pressure, actual inlet air capacity and shaft power of the blower.
2. The performance parameter indicate the air quantity in standard suction condition (20°C temperature, absolute pressure 1.0332 kgf/cm² and relative humidity 65%) .
3. The reference air capacity (0°C temperature and absolute pressure 1.0332kgf/cm²) is generally indicated in Nm³/min.
4. The inlet air capacity can be converted as following.

$$Q_2 = Q_1 \times \frac{P_1}{P_2} \times \frac{273+T_2}{273+T_1}$$

Q₁: Air capacity (m³/min) based on absolute pressure P₁(mmAq) and temperature T₁(°C)

Q₂: Air capacity (m³/min) based on absolute pressure P₂(mmAq) and temperature T₂(°C)

5. The motor power is 1.1~1.3 multiple of shaft power.
6. The error of the parameter is about 5%.



Performance parameters

Qs(m³/min) Pressure(mmAq) La (kW)

Type	RPM	1000mmAq		2000mmAq		3000mmAq		4000mmAq		5000mmAq		6000mmAq	
		Qs	La	Qs	La	Qs	La	Qs	La	Qs	La	Qs	La
RBL-50	850	1.02	0.42	0.89	0.64	0.79	0.85	0.71	1.07	0.63	1.29	-	-
	950	1.18	0.47	1.05	0.71	0.95	0.95	0.86	1.20	0.79	1.44	-	-
	1050	1.33	0.52	1.20	0.79	1.10	1.06	1.02	1.32	0.94	1.59	-	-
	1150	1.49	0.57	1.36	0.86	1.26	1.16	1.18	1.45	1.10	1.74	-	-
	1250	1.65	0.62	1.52	0.94	1.42	1.26	1.33	1.58	1.26	1.90	1.19	2.22
	1350	1.80	0.67	1.67	1.01	1.57	1.36	1.49	1.70	1.42	2.05	1.35	2.39
	1450	1.96	0.71	1.83	1.09	1.73	1.46	1.65	1.83	1.57	2.20	1.50	2.57
	1550	2.12	0.76	1.99	1.16	1.89	1.56	1.80	1.95	1.73	2.35	1.66	2.75
	1650	2.27	0.81	2.14	1.24	2.04	1.66	1.96	2.08	1.89	2.50	1.82	2.93
	1750	2.43	0.86	2.30	1.31	2.20	1.76	2.12	2.20	2.04	2.65	1.98	3.10
	1850	2.59	0.91	2.46	1.39	2.36	1.86	2.27	2.33	2.20	2.81	2.13	3.28
1950	2.74	0.96	2.61	1.46	2.51	1.96	2.43	2.46	2.36	2.96	2.29	3.46	
RBL-65	850	1.81	0.61	1.64	0.97	1.52	1.34	1.41	1.70	1.31	2.06	1.22	2.42
	950	2.07	0.68	1.91	1.09	1.78	1.49	1.67	1.90	1.57	2.30	1.48	2.71
	1050	2.34	0.75	2.17	1.20	2.04	1.65	1.93	2.10	1.83	2.55	1.75	2.99
	1150	2.60	0.82	2.43	1.32	2.30	1.81	2.19	2.30	2.09	2.79	2.01	3.28
	1250	2.86	0.90	2.69	1.43	2.56	1.96	2.45	2.50	2.35	3.03	2.27	3.56
	1350	3.12	0.97	2.95	1.54	2.82	2.12	2.71	2.70	2.62	3.27	2.53	3.85
	1450	3.38	1.04	3.21	1.66	3.08	2.28	2.97	2.90	2.88	3.51	2.79	4.13
	1550	3.64	1.11	3.47	1.77	3.34	2.43	3.23	3.10	3.14	3.76	3.05	4.42
	1650	3.90	1.18	3.73	1.89	3.61	2.59	3.50	3.30	3.40	4.00	3.31	4.70
	1750	4.16	1.26	4.00	2.00	3.87	2.75	3.76	3.50	3.66	4.24	3.57	4.99
	1850	4.43	1.33	4.26	2.12	4.13	2.91	4.02	3.70	3.92	4.48	3.84	5.27
1950	4.69	1.40	4.52	2.23	4.39	3.06	4.28	3.89	4.18	4.73	4.10	5.56	
RBL-80	850	2.38	0.79	2.16	1.18	2.00	1.66	1.86	2.13	1.74	2.60	1.63	3.07
	950	2.71	0.88	2.50	1.32	2.34	1.85	2.20	2.38	2.08	2.91	1.97	3.43
	1050	3.05	0.97	2.84	1.46	2.68	2.05	2.54	2.63	2.42	3.21	2.31	3.79
	1150	3.39	1.06	3.18	1.60	3.02	2.24	2.88	2.88	2.76	3.52	2.65	4.15
	1250	3.73	1.16	3.52	1.74	3.36	2.44	3.22	3.13	3.10	3.82	2.99	4.52
	1350	4.07	1.25	3.86	1.88	3.70	2.63	3.56	3.38	3.44	4.13	3.33	4.88
	1450	4.41	1.34	4.20	2.02	4.04	2.83	3.90	3.63	3.78	4.43	3.67	5.24
	1550	4.75	1.43	4.54	2.16	4.38	3.02	4.24	3.88	4.12	4.74	4.01	5.60
	1650	5.09	1.53	4.88	2.30	4.72	3.22	4.58	4.13	4.46	5.05	4.35	5.96
	1750	5.43	1.62	5.22	2.44	5.06	3.41	4.92	4.38	4.80	5.35	4.69	6.32
	1850	5.77	1.71	5.56	2.58	5.40	3.61	5.26	4.63	5.14	5.66	5.03	6.68
1950	6.11	1.80	5.90	2.72	5.74	3.80	5.60	4.88	5.48	5.96	5.37	7.05	
RBL-100	800	4.11	1.30	3.83	2.09	3.62	2.87	3.44	3.65	3.28	4.44	3.13	5.22
	900	4.71	1.47	4.43	2.35	4.22	3.23	4.03	4.11	3.87	4.99	3.73	5.87
	1000	5.31	1.63	5.03	2.61	4.82	3.59	4.63	4.57	4.47	5.55	4.33	6.52
	1100	5.91	1.79	5.63	2.87	5.42	3.95	5.23	5.02	5.07	6.10	4.93	7.18
	1200	6.51	1.96	6.23	3.13	6.01	4.31	5.83	5.48	5.67	6.65	5.53	7.83
	1300	7.11	2.12	6.83	3.39	6.61	4.66	6.43	5.94	6.27	7.21	6.13	8.48
	1400	7.71	2.28	7.43	3.65	7.21	5.02	7.03	6.39	6.87	7.76	6.73	9.13
	1500	8.31	2.45	8.03	3.91	7.81	5.38	7.63	6.85	7.47	8.32	7.32	9.79
	1600	8.91	2.61	8.63	4.18	8.41	5.74	8.23	7.31	8.07	8.87	7.92	10.44
	1650	9.21	2.69	8.93	4.31	8.71	5.92	8.53	7.54	8.37	9.15	8.22	10.76
	1750	9.81	2.85	9.53	4.57	9.31	6.28	9.13	7.99	8.97	9.70	8.82	11.42
1850	10.41	3.02	10.12	4.83	9.91	6.64	9.73	8.45	9.57	10.26	9.42	12.07	
1950	11.00	3.18	10.72	5.09	10.51	7.00	10.33	8.91	10.17	10.81	10.02	12.72	



Performance parameters

Qs(m³/min) Pressure(mmAq) La (kW)

Type	RPM	1000mmAq		2000mmAq		3000mmAq		4000mmAq		5000mmAq		6000mmAq	
		Qs	La	Qs	La	Qs	La	Qs	La	Qs	La	Qs	La
RBL-125	800	5.78	1.98	5.39	3.07	5.09	4.17	4.84	5.26	4.62	6.36	4.42	7.46
	900	6.61	2.22	6.23	3.46	5.93	4.69	5.68	5.92	5.46	7.15	5.26	8.39
	1000	7.45	2.47	7.07	3.84	6.77	5.21	6.52	6.58	6.30	7.95	6.10	9.32
	1100	8.29	2.72	7.90	4.22	7.61	5.73	7.36	7.24	7.14	8.74	6.94	10.25
	1200	9.13	2.96	8.74	4.61	8.45	6.25	8.20	7.90	7.98	9.54	7.78	11.18
	1300	9.97	3.21	9.58	4.99	9.29	6.77	9.03	8.55	8.81	10.33	8.61	12.12
	1400	10.81	3.46	10.42	5.37	10.12	7.29	9.87	9.21	9.65	11.13	9.45	13.05
	1500	11.65	3.70	11.26	5.76	10.96	7.81	10.71	9.87	10.49	11.92	10.29	13.98
	1600	12.49	3.95	12.10	6.14	11.80	8.33	11.55	10.53	11.33	12.72	11.13	14.91
	1650	12.91	4.07	12.52	6.33	12.22	8.60	11.97	10.86	11.75	13.12	11.55	15.38
	1750	13.74	4.32	13.36	6.72	13.06	9.12	12.81	11.51	12.59	13.91	12.39	16.31
	1850	14.58	4.57	14.20	7.10	13.90	9.64	13.65	12.17	13.43	14.71	13.23	17.24
1950	15.42	4.81	15.03	7.49	14.74	10.16	14.49	12.83	14.27	15.50	14.07	18.17	
RBL-150	780	12.64	3.82	12.08	6.11	11.64	8.39	11.27	10.68	10.95	12.97	10.66	15.26
	830	13.54	4.06	12.97	6.50	12.54	8.93	12.17	11.37	11.85	13.81	11.55	16.24
	880	14.44	4.30	13.87	6.89	13.44	9.47	13.07	12.05	12.75	14.64	12.45	17.22
	930	15.34	4.55	14.77	7.28	14.34	10.01	13.97	12.74	13.64	15.47	13.35	18.20
	990	16.42	4.84	15.85	7.75	15.41	10.65	15.05	13.56	14.72	16.47	14.43	19.37
	1050	17.50	5.14	16.93	8.22	16.49	11.30	16.19	14.38	15.80	17.46	15.51	20.55
	1110	18.57	5.43	18.01	8.69	17.57	11.95	17.20	15.20	16.88	18.46	16.59	21.72
	1180	19.83	5.77	19.26	9.24	18.83	12.70	18.46	16.16	18.14	19.63	17.84	23.09
	1250	21.09	6.11	20.52	9.78	20.09	13.45	19.72	17.12	19.39	20.79	19.10	24.46
	1320	22.35	6.46	21.78	10.33	21.34	14.21	20.98	18.08	20.65	21.96	20.36	25.83
	1390	23.61	6.80	23.04	10.88	22.60	14.96	22.23	19.04	21.91	23.12	21.62	27.20
	1470	25.04	7.19	24.48	11.51	24.04	15.82	23.67	20.14	23.35	24.45	23.06	28.76
1560	26.66	7.63	26.09	12.21	25.66	16.79	25.29	21.37	24.97	25.95	24.67	30.53	
1650	28.28	8.07	27.71	12.91	27.27	17.76	26.91	22.60	26.58	27.44	26.29	32.29	
1750	30.08	8.55	29.51	13.70	29.07	18.83	28.70	23.97	28.38	29.11	28.09	34.24	
1850	31.87	9.05	31.30	14.48	30.87	19.91	30.50	25.34	30.18	30.77	29.88	36.20	
RBL-200	780	23.65	7.06	22.70	9.52	21.97	13.76	21.36	17.99	20.81	22.23	20.32	26.47
	830	25.33	7.52	24.36	10.13	23.63	14.64	23.02	19.15	22.48	23.66	21.99	28.17
	880	26.98	7.97	26.03	10.74	25.30	15.52	24.68	20.30	24.14	25.08	23.65	29.86
	930	28.64	8.42	27.69	11.35	26.96	16.40	26.34	21.45	25.80	26.51	25.31	31.56
	990	30.63	8.95	29.68	12.08	28.95	17.46	28.34	22.84	27.80	28.22	27.31	33.60
	1050	32.63	9.51	31.68	12.81	30.95	18.52	30.34	24.22	29.79	29.93	29.30	35.63
	1110	34.63	10.05	33.68	13.55	32.95	19.58	32.33	25.61	31.79	31.64	31.30	37.67
	1180	36.95	10.68	36.00	14.40	35.27	20.81	34.66	27.22	34.12	33.63	33.63	40.04
	1250	39.28	11.32	38.33	15.26	37.60	22.05	36.99	28.84	36.45	35.63	35.96	42.42
	1320	41.61	11.95	40.66	16.11	39.93	23.28	39.32	30.45	38.77	37.62	38.28	44.79
	1390	43.94	12.59	42.99	16.96	42.26	24.52	41.64	32.07	41.10	39.62	40.61	47.17
	1470	46.60	13.31	45.65	17.94	44.92	25.93	44.31	33.91	43.76	41.90	43.27	49.88
1560	49.59	14.12	48.64	19.04	47.91	27.51	47.30	35.99	46.76	44.46	46.27	52.94	
1650	52.59	14.94	51.64	20.14	50.91	29.10	50.29	38.06	49.75	47.03	49.26	55.99	
1750	55.91	15.85	54.96	21.36	54.23	30.86	53.62	40.37	53.08	49.88	52.59	59.39	
1850	59.24	16.75	58.29	22.58	57.56	32.63	56.94	42.68	56.40	52.73	55.91	62.78	
RBL-250	830	37.22	10.80	36.20	17.28	35.42	23.75	34.77	30.23	34.19	36.71	33.67	43.19
	880	39.61	11.45	38.59	18.32	37.81	25.19	37.16	32.05	36.58	38.92	36.06	45.79
	930	42.00	12.10	40.98	19.36	40.20	26.62	39.55	33.88	38.97	41.13	38.45	48.39
	990	44.86	12.88	43.85	20.61	43.07	28.33	42.41	36.06	41.84	43.79	41.31	51.52

Performance parameters

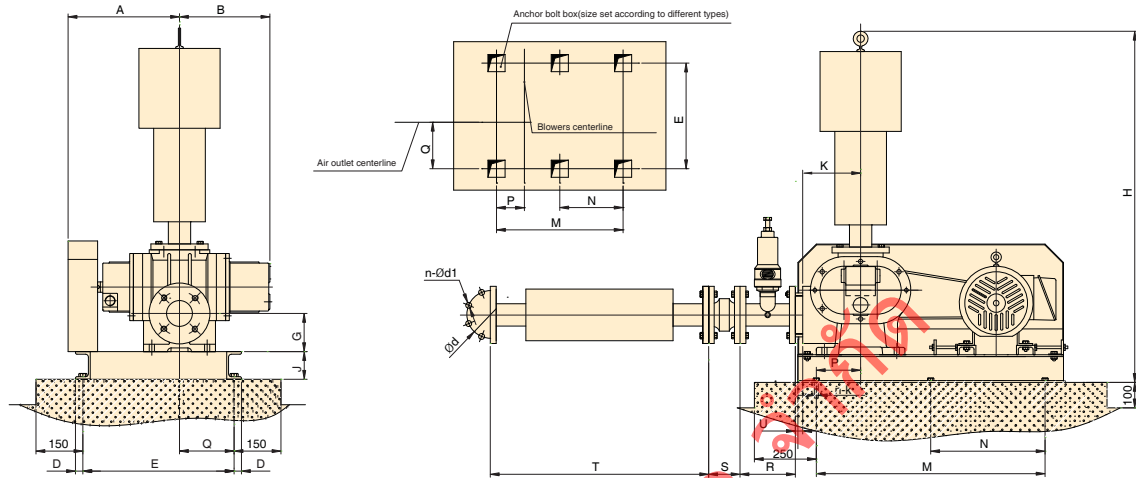
Qs(m³/min) Pressure(mmAq) La (kW)

Type	RPM	1000mmAq		2000mmAq		3000mmAq		4000mmAq		5000mmAq		6000mmAq	
		Qs	La	Qs	La	Qs	La	Qs	La	Qs	La	Qs	La
RBL-250	1050	47.73	13.66	46.72	21.86	45.94	30.05	45.28	38.25	44.70	46.44	44.18	54.64
	1110	50.60	14.44	49.58	23.10	48.81	31.77	48.15	40.43	47.57	49.10	47.05	57.76
	1180	53.94	15.35	52.93	24.56	52.15	33.77	51.49	42.98	50.92	52.19	50.39	61.40
	1250	57.29	16.26	56.27	26.02	55.50	35.77	54.84	45.53	54.26	55.29	53.74	65.05
	1320	60.63	17.17	59.62	27.48	58.84	37.78	58.18	48.08	57.61	58.38	57.08	68.69
	1390	63.98	18.08	62.96	28.93	62.19	39.78	61.53	50.63	60.95	61.48	60.43	72.33
	1470	67.80	19.12	66.79	30.60	66.01	42.07	65.35	53.55	64.78	65.02	64.25	76.49
RBL-300	620	48.68	14.34	47.02	22.94	45.75	31.55	44.68	40.15	43.73	48.75	42.88	57.36
	660	52.07	15.26	50.42	24.42	49.15	33.58	48.08	42.74	47.13	51.90	46.28	61.06
	700	55.47	16.19	53.82	25.90	52.55	35.62	51.47	45.84	50.53	55.04	49.68	64.76
	740	58.87	17.11	57.21	27.38	55.94	37.65	54.87	47.92	53.93	58.19	53.08	68.46
	780	62.27	18.04	60.61	28.86	59.34	39.69	58.20	50.51	57.33	61.33	56.47	72.16
	830	66.52	19.20	64.86	30.71	63.59	42.23	62.52	53.75	61.57	65.26	60.72	76.78
	880	70.76	20.35	69.11	32.56	67.84	44.77	66.77	56.99	65.82	69.20	64.97	81.41
	930	75.01	21.51	73.36	34.41	72.09	47.32	71.01	60.22	70.07	73.13	69.22	86.03
	990	80.11	22.90	78.45	36.63	77.18	50.67	76.11	64.11	75.17	77.85	74.31	91.58
	1050	85.21	24.28	83.55	38.85	82.28	53.42	81.21	67.99	80.27	82.56	79.41	97.13
	1110	90.30	25.67	88.65	41.07	87.38	56.48	86.31	71.88	85.36	87.28	84.51	102.68
	1180	96.25	27.29	94.60	43.66	93.32	60.04	92.28	76.41	91.31	92.79	90.46	109.16
	1250	102.20	28.91	100.54	46.25	99.27	63.60	98.20	80.95	97.26	98.29	96.40	115.64
	1320	108.15	30.53	106.49	48.84	105.22	67.16	104.15	85.48	103.20	103.79	102.35	122.11
	1390	114.09	32.15	112.44	51.43	111.17	70.72	110.09	90.01	109.15	109.30	108.30	128.59
1470	120.89	34.00	119.23	54.40	117.96	74.79	116.89	95.19	115.95	115.59	115.09	135.99	

บริษัท ไฮดรอลิก จำกัด
โทร 02-073-7818



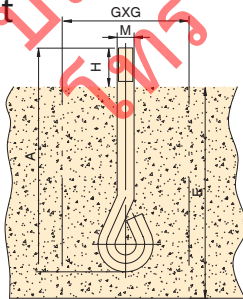
Installation dimensions (horizontal outlet silencer)



: Unit(mm)

Type	A	B	D	E	G	H	J	K	M	N	P	Q	R	S	T	U	d	n-Ød1	n-k
RBL-50	235	202	20	412	104	791	56	140	520	-	98	95	150	105	595	18	125	4-Ø18	4-M12x160
RBL-65	300	245	20	412	107	971	80	140	520	-	93	211	150	115	595	18	145	4-Ø18	4-M12x160
RBL-80	323	273	20	412	110	980	80	160	520	-	93	188.5	180	135	795	18	160	8-Ø18	4-M12x160
RBL-100	383	300	20	482	115	1300	80	180	700	-	80	238	180	150	795	18	180	8-Ø18	4-M16x220
RBL-125	426	350	20	482	145	1330	80	180	700	-	98	195	250	165	1260	18	210	8-Ø18	4-M16x220
RBL-150	505	430	24	602	163.5	1910	100	250	950	-	182	271	250	180	1260	18	240	8-Ø23	4-M16x220
RBL-200	605	508	24	602	185	2020	100	290	950	-	182	212	250	190	1645	23	295	8-Ø23	6-M20x300
RBL-25	565	551	30	940	214	2395	160	345	1300	650	310	580	250	230	1750	38	350	12-Ø23	6-M20x300
RBL-30	805	726	30	940	255	2710	160	360	1500	750	248	470	300	250	1850	38	400	12-Ø23	6-M20x300

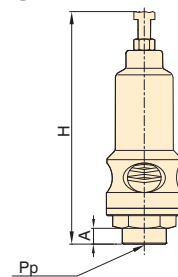
Anchor bolt



: Unit(mm)

Anchor bolt GB799-88	A	H	E	GxG	Application type
M12	160	36	224	100x100	RBL-50,65,80
M16	220	45	275	120x120	RBL-100,125,150
M20	300	55	345	150x150	RBL-200,250,300

Relief valve



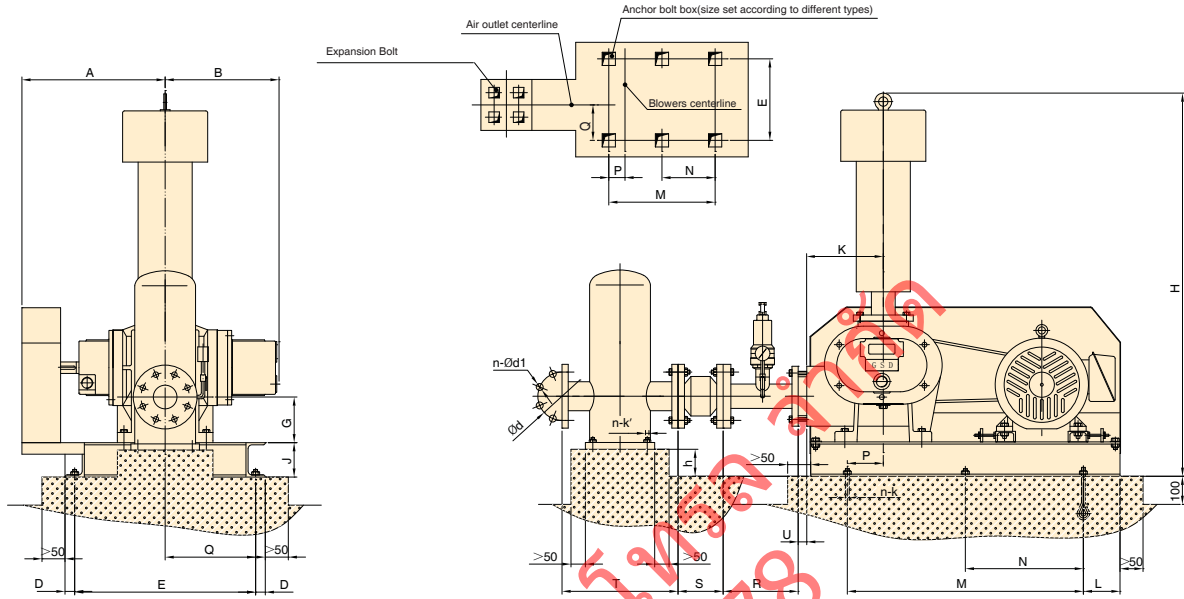
: Unit(mm)

Type	A	H	Application type	Weight (kg)
SV1 1/4"	19	145	RBL-50,65,80	0.3
SV2"	24	185	RBL-100,125,150	1
SV3"	30	230	RBL-200,250	1.6
SV125	90	490	RBL-300	29

Note: Type DN125 is connect with flange. Refer to JB/T 1.0MPa.

- Note: 1. The note E on the drawing is the minimum size, it shall be deepened properly according to the soil condition in the installation place.
 2. GxG is the size of the preformed holes for the secondary casting.

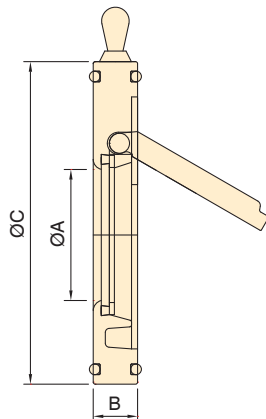
Installation dimensions (vertical outlet silencer)



: Unit(mm)

Type	A	B	D	E	G	H	J	K	M	N	P	Q	R	S	T	U	h	d	n-Ød1	n-k	n-k'
RBL-50	235	202	20	412	104	791	56	140	520	-	98	95	150	105	300	18	64	125	4-Ø18	4-M12x160	4-M12x120
RBL-65	300	245	20	412	107	971	80	140	520	-	93	211	150	115	350	18	57	145	4-Ø18	4-M12x160	4-M12x120
RBL-80	323	273	20	412	110	980	80	160	520	-	93	188.5	180	135	400	18	45	160	8-Ø18	4-M12x160	4-M12x120
RBL-100	383	300	20	482	115	1300	80	180	700	-	80	238	180	150	450	18	40	180	8-Ø18	4-M16x220	4-M12x120
RBL-125	426	350	20	482	115	1330	80	180	700	-	98	195	250	165	500	18	35	210	8-Ø18	4-M16x220	4-M12x120
RBL-150	505	430	24	602	163.5	1910	100	250	950	-	182	271	250	180	600	18	53.5	240	8-Ø22	4-M16x220	4-M12x120
RBL-200	605	508	24	602	185	2020	100	290	950	-	182	212	250	190	672	23	29	295	8-Ø22	6-M20x300	4-M12x120

Check valve

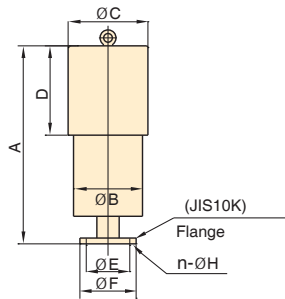


: Unit(mm)

Type	A	B	C	Weight (kg)	Application type
DCV-50	37	18	102.5	1	RBL-50
DCV-65	45	18	122.5	1.4	RBL-65
DCV-80	52	22	132	0.8	RBL-80
DCV-100	65	22	158	0.9	RBL-100
DCV-125	90	22	190	1.2	RBL-125
DCV-150	115	22	215	1.5	RBL-150
DCV-200	160	25	268	2.6	RBL-200
DCV-250	180	38	325	12.5	RBL-250
DCV-300	213	38	375	18.5	RBL-300



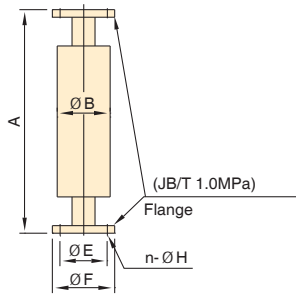
Suction silencer



: Unit(mm)

Type	A	B	C	D	E	F	n-ØH	Weight (kg)	Application type
SS50	550	133	150	220	120	155	4-Ø19	10	RBL-50
SS65	550	159	190	280	140	175	4-Ø19	12	RBL-65
SS80	820	219	245	280	150	185	8-Ø19	21	RBL-80
SS100	820	245	273	330	175	210	8-Ø19	27	RBL-100
SS125	1310	273	310	350	210	250	8-Ø23	45	RBL-125
SS150	1310	299	340	370	240	280	8-Ø23	52	RBL-150
SS200	1500	330	380	370	290	330	12-Ø23	81	RBL-200
SS250	1700	400	480	550	355	400	12-Ø25	98	RBL-250
SS300	1825	500	600	650	400	445	16-Ø25	135	RBL-300

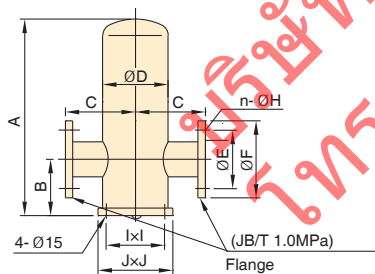
Horizontal outlet silencer



: Unit(mm)

Type	A	B	E	F	n-ØH	Weight (kg)	Application type
DS50	595	159	125	160	4-Ø18	12	RBL-50
DS65	595	159	145	180	4-Ø18	13.5	RBL-65
DS80	795	219	160	195	8-Ø18	24	RBL-80
DS100	795	219	180	215	8-Ø18	25	RBL-100
DS125	1260	290	210	245	8-Ø18	48	RBL-125
DS150	1260	290	240	280	8-Ø23	51	RBL-150
DS200	1645	356	295	335	8-Ø23	79	RBL-200
DS250	1750	405	350	390	12-Ø23	98	RBL-250
DS300	1850	484	400	440	12-Ø23	140	RBL-300

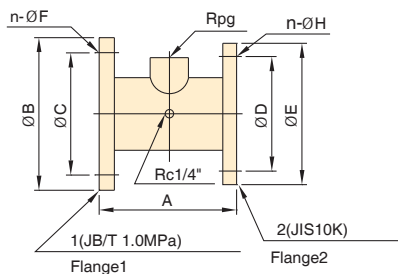
Vertical outlet silencer



: Unit(mm)

Type	A	B	C	D	E	F	n-ØH	I	J	Weight (kg)	Application type
VDS50	420	120	150	140	125	165	4-Ø18	125	160	19.0	RBL-50
VDS65	480	130	175	191	145	185	4-Ø18	170	210	27.0	RBL-65
VDS80	595	145	200	216	160	200	8-Ø18	190	235	36.9	RBL-80
VDS100	660	155	225	267	180	220	8-Ø18	230	280	51.8	RBL-100
VDS125	800	190	250	280	210	250	8-Ø18	240	300	65.9	RBL-125
VDS150	920	210	300	356	240	285	8-Ø22	290	376	99.6	RBL-150
VDS200	1050	256	325	406	295	340	8-Ø22	350	425	131.5	RBL-200

"T" - Joint



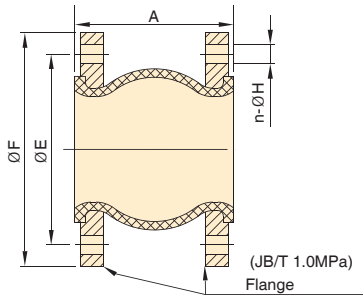
: Unit(mm)

Type	A	B	C	n-ØF	E	D	n-ØH	g	Weight (kg)	Application type
HJ50	150	160	125	4-Ø18	155	120	4-Ø19	1 1/4"	5.8	RBL-50
HJ65	150	180	145	4-Ø18	175	140	4-Ø19	1 1/4"	7.5	RBL-65
HJ80	180	195	160	8-Ø18	185	150	8-Ø19	1 1/4"	9	RBL-80
HJ100	180	215	180	8-Ø18	210	175	8-Ø19	2"	11.5	RBL-100
HJ125	250	245	210	8-Ø18	250	210	8-Ø23	2"	15.5	RBL-125
HJ150	250	280	240	8-Ø23	280	240	8-Ø23	2"	18	RBL-150
HJ200	250	335	295	8-Ø23	330	290	12-Ø23	3"	23	RBL-200
HJ250	250	390	350	12-Ø23	400	355	12-Ø25	3"	40	RBL-250
HJ300	300	440	400	12-Ø23	445	400	16-Ø25	DN125	45	RBL-300

Note: Type DN125 refer to JB/T 1.0MPa.



Flexible Connector



: Unit(mm)

Type	A	E	F	n-ØH	Weight (kg)	Application type
KXT50	105	125	165	4-Ø18	3.0	RBL-50
KXT65	115	145	185	4-Ø18	3.5	RBL-65
KXT80	135	160	200	8-Ø18	4.0	RBL-80
KXT100	150	180	220	8-Ø18	5.0	RBL-100
KXT125	165	210	250	8-Ø18	6.5	RBL-125
KXT150	180	240	285	8-Ø22	9.5	RBL-150
KXT200	190	295	340	8-Ø22	16.0	RBL-200
KXT250	230	350	395	12-Ø22	25.0	RBL-250
KXT300	250	400	445	12-Ø22	42	RBL-300

Applications

Water treatment

1 Aeration of sewage

Incinerator

5 Used for combustion, increasing oxygen to promote combustion

Pipe clearing

9 Use gas blowing sand to flush pipes

Brewery and beverage industry

2 Clean up the bottle's dead angle by gas

Fermenting plant

6 Increasing oxygen to promote the fermentation

Electroplate factory

10 Stir gas liquid, make its uniformity

spray finishing

3 Use gas spraying fire-resistant material on the wall

Car washing

7 Use washing fluid washing car base on siphon principle

Sauna

11 Do body massage, promote the blood circulation

Fishery

4 Increasing oxygen in water

Paper mill

8 The mechanical arm carries the paper after it has been dried by the wind

Conveying

12 Use gas conveying materials



Welcome to ask for the following product catalogue



Pump series

- Submersible pump series
- On land pump series
- Special pump series
- Fire fighting pump series



Mixing and flow Propeller series

- Mixer series
- Flow propeller series



Aerating oxygen Inputing series

- Aerator series
- Disc diffuser series
- Diffuser series



Blower series

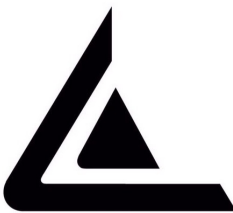
- Three-lobe roots blower series
- Pressure boost roots blower



Sludge treatment equipment and others

- Solid liquid separation series
- Dissolving equipment
- Conveying equipment

บริษัท ไฮคอนโทรล จำกัด
โทร 02-073-7878



HIGH CONTROL

We reserve the right to change content without notice.