



G SERIES DOSING PUMPS

Technical Specifications

- Mechanically actuated PTFE diaphragm
- Flow rate up to 1800 LPH, pressure up to 12 bar
- Adjustment of flowrate from 0%~100% while running or stopped
- Accuracy +/-2% of 100% rated flow
- Maximum temperature of pumped fluid : 40 °C
- Maximum suction lift up to 3 m water, max. suction pressure 2 bar

Features & Benefits

- Mechanical actuated diaphragm design eliminates contour plates
- Variable eccentric drive mechanism for smooth sinusoidal flow
- Rugged construction designed to tough environment
- Oil bath lubrication for all of drive components
- Lockable micrometer stroke adjustment can be adjusted while pump is running or stopped
- PVC, PVDF & 316 SS liquid end material
- Self-cleaning suction/discharge check valve
- Simplified service-easy access to the main components, large open and few assemblies



Capacity / Pressure Tables

Code	LPH @ P _{max}		SPM		P _{max} BarG	Power
	50Hz	60Hz	50Hz	60Hz		
GM0002	2.25	2.7	36	43	12	250W ⁽²⁾
GM0005	4.5	5.4	72	86		
GM0010	9	10.5	144	173		
GM0025	25	30	72	86		
GM0050	50	60	144	173	10	
GM0090	85	100	72	86	7	
GM0120	120	140	72	86		
GM0170	170	200	144	173		
GM0240	240	280	144	173		
GM0330	315	370	144	173	5	
GM0400	400	480	144	173		
GM0500	500	-	180	-		

Code	LPH @ P _{max}		SPM		P _{max} BarG	Power
	50Hz	60Hz	50Hz	60Hz		
GB0080	82	98	36	43	10	550W/ 750W ⁽²⁾
GB0180	167	200	72	86		
GB0250	237	284	102	120		
GB0350	334	400	144	173		
GB0450	416	-	180	-	7	
GB0500	464	556	144	173		
GB0600	583	-	180	-		
GB0700	656	787	102	120		
GB1000	946	1136	144	173	3.5	
GB1200	1200	-	180	-		
GB1500	1500	1400 ⁽¹⁾	180	173 ⁽¹⁾	3	750W
GB1800	1800	-	216	-		

(1) The gear/worm is different from that of 50Hz (2) Motor can be used for both of constant & variable speed application



Automatic Capacity Control Options

- Electrical Capacity Control: Accept external control signal to adjust the stroke length
Power Supply: 220V-50Hz-Single Phase
Input Signal: 4-20mA
- Variable Speed Device: Accept external control signal to adjust the stroke speed
Power Supply: 380/500VAC-50/60Hz-three phase
Input Signal: 4-20mA
- Motor Controller:
"ON/OFF" control the motor (three phase) to adjust the flowrate
Power Supply: 200/240V-50/60Hz-single phase
Input Signal: 4-20mA/Pulse Signal/Manual



GM Series Pump with Motor Controller

Other Options

- Double diaphragm
- Stroke Counter
- Material for special applications

The Liquid End Material

- GM0002~GM0050

Liquid End	Head	Ball Guide	Seat	Ball Check	Diaphragm	O-rings	Connection
PVC	PVC	PVC	Polyprel	Ceramic	PTFE/PVC	Viton	PVC
PVDF	PVDF	PVDF	PTFE	Ceramic	PTFE/PVDF	Viton	PVDF
316L SS	316L SS	316L SS	316L SS	316L SS	PTFE/316L	Viton	316L SS

- GM0090~GM0500

Liquid End	Head	Ball Guide	Seat	Ball Check	Diaphragm	O-rings	Connection
PVC	PVC	PVDF	PE	Glass	PTFE/PP	Viton	PVC
PVDF	PVDF	PVDF	PVDF	Ceramic	PTFE/PVDF	FEP	PVDF
316L SS	316L SS	316L SS	316L SS	316L SS	PTFE/316L	Viton	316L SS

- GB0080~GB1200

Liquid End	Head	Ball Guide	Seat	Ball Check	Diaphragm	O-rings	Connection
PVC	PVC	PVDF/PVC	PVDF/PE	Ceramic	PTFE/PVC	Viton	PVC
PVDF	PVDF	PVDF	PVDF	Ceramic	PTFE/PVDF	Viton	PVDF
316 SS	316 SS	316 SS	316 SS	316 SS	PTFE/316SS	Viton/PTFE	316 SS

Accessories

Pressure relief valve, back pressure valve, pulsation dampener and strainer are available.

Motor Data

Power Supply: 200/230/380/400/460V-50/60Hz-3phase

Enclosure: IP55

Insulation: F

Power (W)	Voltage (V)	Frequency (Hz)	Speed (RPM)	Current (A)	Eff (%)	Power Factor
250	200/400	50	1440	1.66/0.83	67	0.68
550	200/400	50	1440	2.24/1.12	69.5	0.72
550	200/400	50	1440	3.12/1.56	73.5	0.73
750	200/400	50	1440	4.02/2.01	75.5	0.75
250	230/460	60	1700	1.4/0.7	70	0.64
370	230/460	60	1700	2.02/1.01	73	0.63
550	230/460	60	1700	2.76/1.38	77	0.65
750	230/460	60	1700	3.26/1.63	82.5	0.70

Note: IEC/Nema explosion proof motors and single phase motors are available.



Product Code

Code Structure Series Capacity LE Connection Motor Adjustment Base Options

 □□ □□□□ □ □ □ □ □ □

Series

Code	Description
GB	GB Series MAD Metering Pump
GM	GM Series MAD Metering Pump

Capacity

Code	LPH@P _{max}				P _{max} BarG	Power
	50Hz	60Hz	50Hz	60Hz		
0080	82	98	36	43	10	550W 750W ⁽²⁾
0180	167	200	72	86		
0250	237	284	102	120		
0350	334	400	144	173		
0450	416	-	180	-		
0500	464	556	144	173		
0600	583	-	180	-	7	750W
0700	656	787	102	120		
1000	946	1136	144	173	3.5	750W
1200	1200	-	180	-		
1500	1500	1400 ⁽¹⁾	180	173 ⁽¹⁾	3	750W
1800	1800	-	216	-		

GM

Code	LPH@P _{max}				P _{max} BarG	Power
	50Hz	60Hz	50Hz	60Hz		
0002	2.25	2.7	36	43	12	250W ⁽²⁾
0005	4.5	5.4	72	86		
0010	9	10.5	144	173		
0025	25	30	72	86	10	250W ⁽²⁾
0050	50	60	144	173		
0090	85	100	72	86	7	250W
0120	120	140	72	86		
0170	170	200	144	173		
0240	240	280	144	173	5	250W 370W ⁽²⁾
0330	315	370	144	173		
0400	400	480	144	173	5	250W 370W ⁽²⁾
0500	500	-	180	-		

(1) The gear/worm is different from that of 50Hz (2) Motor can be used for both constant & variable speed application

Liquid End

Code	Description
P	PVC Liquid End
S	316SS Liquid End
T	PVDF Liquid End

Code	Description
V	High Viscosity (PVC LE)
K	Slurry (316SS LE, GM0025-0500, GB)
M	Mixed (PVC LE, GM)

Connection

Code	Description	GB0080-0450			GB0500-1200			GB1500-1800			GM0002-0050			GM0090-0500		
		PVC	PVDF	316L	PVC	PVDF	316L	PVC	PVDF	316L	PVC	PVDF	316L	PVC	PVDF	316L
P	NPT, Female	1/2"F	1/2"F	1/2"F	1"F	1"F	1"F	1 1/2"	1 1/2"	1 1/2"	-----	-----	1/2"F	-----	-----	1/2"F
Q	Pipe	DN15	-----	-----	DN25	-----	-----	DN25	-----	-----	-----	-----	-----	-----	-----	DN15
R	Hose Tube	-----	-----	-----	-----	-----	-----	-----	-----	-----	6x12	6x12	-----	-----	-----	-----
H	Hose Tube (High Viscosity Application)	-----	-----	-----	-----	-----	-----	-----	-----	-----	15x23 9x12	-----	-----	-----	-----	DN15
X	Others	Consult factory and describe in order									Consult factory and describe in order					

Note: Shaded range is default

Motor

Code	Description (GB)	Description (GM)
1	550W, IEC71, 1440rpm, 3ph-50Hz-220/380V, IP55/F/TEFC	250W, IEC71, 1440rpm, 3ph-50Hz-220/380V, IP55/F/TEFC
2	1hp, NEMA56C, 1440rpm, 3ph-50Hz-220/380V, NEMA3/TEFC	1/3hp, NEMA56C, 1440rpm, 3ph-50Hz-220/380V, NEMA3/TEFC
3	550W, IEC80, 1440rpm, 3ph-50Hz-220/380V, IP55/F/TEFC/dIIBT4	250W, IEC71, 1440rpm, 3ph-50Hz/380V, IP55/F/TEFC/dIIBT4
4	750W, IEC80, 1440rpm, 3ph-50Hz-220/380V, IP55/F/TEFC	370W, IEC71, 1440rpm, 3ph-50Hz-220/380V, IP55/F/TEFC
5	750W, IEC80, 1440rpm, 3ph-50Hz-220/380V, IP55/F/TEFC/dIIBT4	250W, IEC71, 1440rpm, 1ph-50Hz-220V, IP55/F/TEFC
6	550W, IEC71, 4 pole, 3ph-50Hz-220/400V, 3ph-60Hz-230/460V, IP55/F/TEFC	250W, IEC71, 4 pole, 3ph-50Hz-200/400V, 3ph-60Hz-230/460V, IP55/F/TEFC
7	750W, IEC80, 4 pole, 3ph-50Hz-200/400V, 3ph-60Hz-230/460V, IP55/F/TEFC	370W, IEC71, 4 pole, 3ph-50Hz-200/400V, 3ph-60Hz-230/460V, IP55/F/TEFC
9	Others, Consult Factory	Others, Consult Factory

Adjustment

Code	Description (GB)	Description (GM)	Remark
M	Manual Adjustment	Manual Adjustment	default
N	ECC, 4-20mA, 230VAC-1ph	ECC, 4-20mA, 230VAC-1ph	
E	ECC, 4-20mA, 230VAC-1ph, Explosion proof	-----	GM0010, 0050, 0170, 0240, 0330, 0400
F	Variable Frequency Device, 4-20mA, 3ph, 230/380/415/440V	Variable Frequency Device, 4-20mA, 3ph, 230/380/415/440V	
P	-----	Motor "ON/OFF" Controller	

Base

Code	Description	Remark
N	None	default
Y	Base Plate	GB

Options

Code	Description (GB)	Description (GM)	Remark
N	N/A	N/A	default
A	Stroke Counter	Stroke Counter	
B	Double Diaphragm	Double Diaphragm (GM0002-0240)	Including gauge

Note:

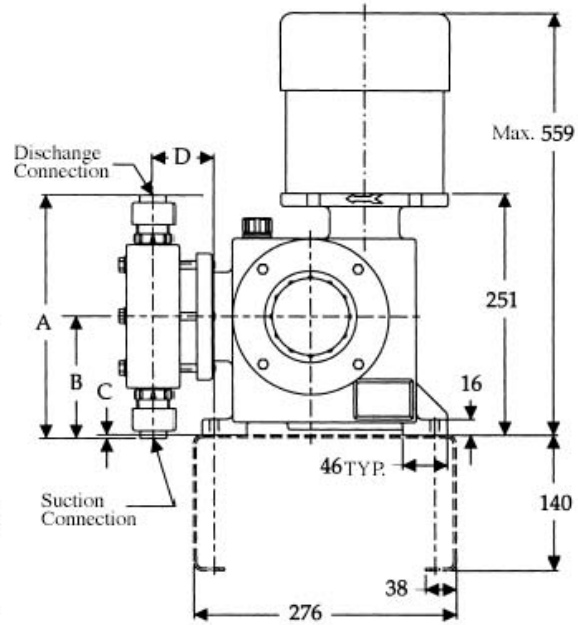
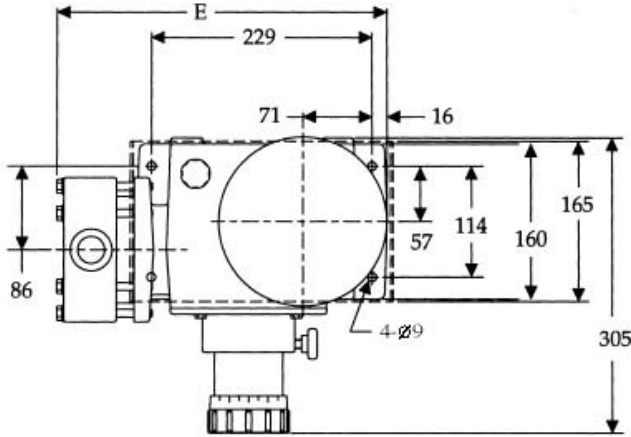
- For any special requirement, please consult PRYDE Measurement on 1800 688 211.



Pump Outline Drawing

• GB Series

LE Material	A (mm)	B (mm)	C (mm)	D (mm)	E (mm)
0080~0450 Metallic	260	130	4	60	341
0080~0450 Plastic	237	126	5	62	341
0500~0600 Metallic	338	169	46	76	356
0500~0600 Plastic	286	143	19	71	356
0700~1800 Metallic	414	207	85	98	387
0700~1800 Plastic	362	181	59	98	387



• GM Series

LE Material	GM0002~GM0050			GM0090~GM0500				
	Conn.Code	A	B	C	Conn.Code	A	B	C
PP	P	108	116	250	Q	127	159	322
PVDF	P	108			N	131		
316 SS	N	102			N	131		

