

1/2" Metallic Models Pro-Series Pumps

1/2" Metallic Performance Specifications

Ratio:	1:1		
Maximum Flow GPM (LPM):	13.0 (49.2)		
Displacement per cycle:	0.040 (0.15)		
Gallons (Liters)			
Air Inlet:	1/4" N.P.T.F.		
Fluid Inlet:	1/2" N.P.T.F.		
Fluid Outlet:	1/2" N.P.T.F.		
Max. operating pressure psi (bar):	100 (6.9)		
Suspended solids max. dia:	3/32 (2.4)		
in. (mm)			
Weight lbs (kg):	PD05P-ASS-STT	8.36(3.8)	
	PD05P-AAS-STT	14.6(6.6)	
Maximum dry suction lift ft (m):	10 (3)		
Sound Level:	PSI	Cycles / Min	db (A)
	70	60	71.1



Ordering Menu

PD05	X	-	X	X	S	-	X	X	X
Model Series	Center Section Material		Fluid Connection	Fluid Caps/ Manifold Material	Hardware Material		Seat Material	Ball Material	Diaphragm Material
D Standard	P Polypropylene		A N.P.T.	A Aluminum S Stainless Steel	S Stainless Steel		F Aluminum P Polypropylene S 316 Stainless Steel	A Santoprene G Nitrile S Stainless Steel T Teflon V Viton	A Santoprene G Nitrile T Teflon V Viton

Accessories

Air Line Connection Kit* | Kit No. P29122-600

Kit includes Piggyback Filter/Regulator with gauge, pipe nipple and a 5-foot section of air hose.

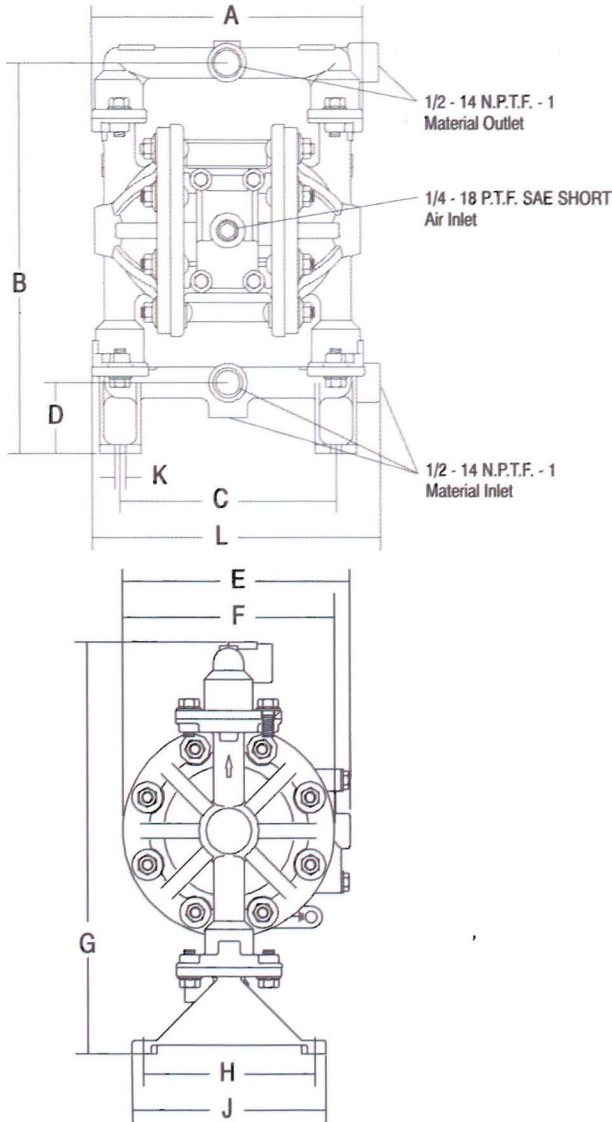
Service Repair Kits | Kit No. 637141 (Air Section)
Kit No. 637140- XX* (Fluid Section)

(*) XX: Ball and Diaphragm material code number

*Please note pumps are not included with these kits.

1/2" Metallic Dimensions and Flow Curves Pro-Series Pumps

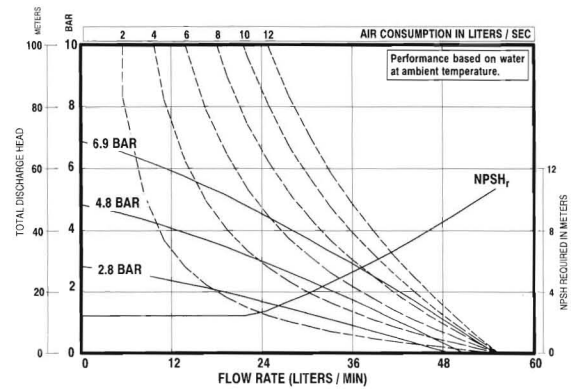
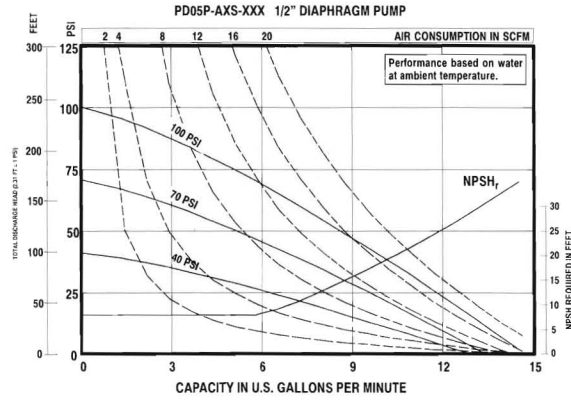
1/2" Metallic Dimensions and Flow Charts



DIMENSIONS

A	7-11/16" (195 mm)	E	6-7/16" (164 mm)	J	5-1/2" (140 mm)
B	11-1/16" (280 mm)	F	6" (152 mm)	K	5/16" (8 mm)
C	6-1/8" (156 mm)	G	11-5/8" (295 mm)	L	8-1/4" (209 mm)
D	2" (51 mm)	H	4-7/8" (124 mm)		

NOTE: Dimensions are shown in inches and (mm), supplied for reference only and are typically rounded up to the nearest 1/16 inch.



Refer to www.irtools.com/aro/ for full size flow curves.

METALLIC